



PROJECT		REF		REV	ITEM CODE	
LOCATION		DATE			PAGE	

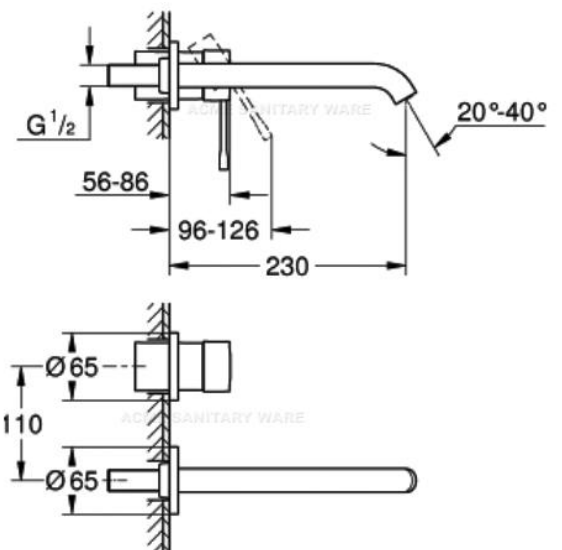
SANITARY WARE SPECIFICATION SHEET

Item Descriptions	GROHE (Germany) "Essence" Brushed nickel wall mounted 2-hole basin mixer L-size; nominated flow rate 5.2 L/min in WELS Grade 1 ; Registration No. TM 18-0061
Model	19967EN1 (Mixer) 23571000 (Concealed Body)
Finish	Brushed Nickel
Country of origin	Germany
Manufacturer	GROHE Limited
Supplier	Acme Sanitary Ware Co. Ltd Mr. Eric Wong/ Mr. Don Yuen
Contact Tel/Fax	(852) 2388-7171 / (852) 2710-8012
E-mail	acme@acmesanitary.com.hk
Website	www.acmesanitary.com.hk

Illustration/ Drawing

Dynamic flow pressure (kPa)	50	150	250	350	500
Flow rate (l/min)	3.10	4.95	5.30	5.40	5.43

Essence
Two-hole basin mixer
L-Size
 wall mounted
 set for final installation for 23 571 000
 without concealed body
 metal escutcheon
 metal lever
GROHE StarLight chrome finish
GROHE EcoJoy mousseur 5.7 l/min
GROHE AquaGuide adjustable mousseur
 center distance 110 mm
 projection 230 mm



- Colour options:**
- 001 | StarLight Chrome
 - DC1 | SuperSteel
 - DA1 | Warm Sunset
 - A01 | Hard Graphite
 - AL1 | Brushed Hard Graphite
 - GL1 | Cool Sunrise
 - GN1 | Brushed Cool Sunrise
 - DL1 | Brushed Warm Sunset
 - BE1 | Polished Nickel
 - EN1 | Brushed Nickel

* All information of the above is for the reference only. No prior notice is made if any changes.

註冊號碼 (Registration No.): TM 18-0061



自願參與用水效益標籤計劃 - 水龍頭 Voluntary Water Efficiency Labelling Scheme - Water Taps

Certificate



註冊證書

Registration



茲證明

This is to certify that

將下列水龍頭在本計劃內註冊：
has registered the following water tap under this scheme :

- 牌子 / Brand : GROHE
- 型號 / Model : 23571000 + 19967XX1
- 種類 / Type : Mixing
- 原產地 / Country or Region Origin : Germany (Body)

在用水效益標籤上展示的標誌

Symbolic Presentation on the Water Efficiency Label



滴水點

Water droplet(s)

用水效益類別

Water Efficiency Grade

1

耗水量

Water Consumption

5.2

公升/分鐘

litres/minute

簽發日期：

Date of Issue: 12 March 2018



水務署

Water Supplies Department



水務署署長(周世威代行)
for Director of Water Supplies